

# SHARP

**SHARP CORPORATION, Solar Systems Group**

1 Takumi-Cho, Sakai-Ku, Sakai-City, Osaka 590-8522, JAPAN

Phone: (81)-72-282-1221 Fax: (81)-72-282-4928

## Compatibility of “ALUMERO” with Modules of NA-E Series

The following clamp has been tested under IEC 61646 10.16 “Mechanical load test” required test condition with SHARP thin-film glass-glass type PV-Module NA-E\*\*\*L5 &G5 series. (Suffix \*\*\* stands for 135, 130, 125, 120, 115).

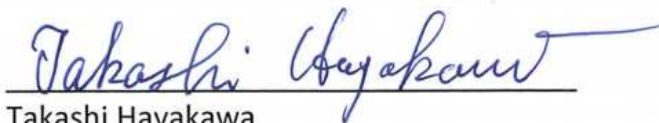
The module passed test (10.1 Visual Inspection after the mechanical load test) with the following clamp.

【Clamp】

◆Supplier : ALUMERO Systematic Solutions GmbH

◆Model Number : CLICK 6.8-200 (regarding this design see next page.)

◆Part No : not specified



Takashi Hayakawa  
Department General Manager  
Engineering Department II  
Solar Systems Division  
Solar Systems Group  
Sharp Corporation

---

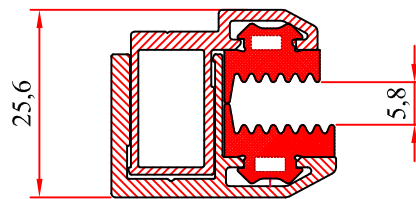
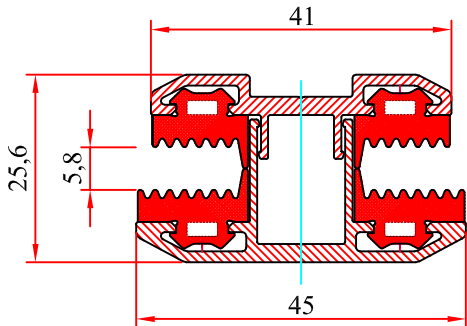
1

2

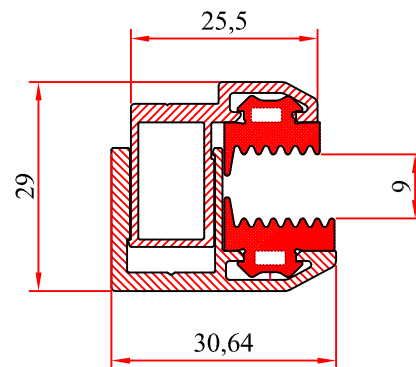
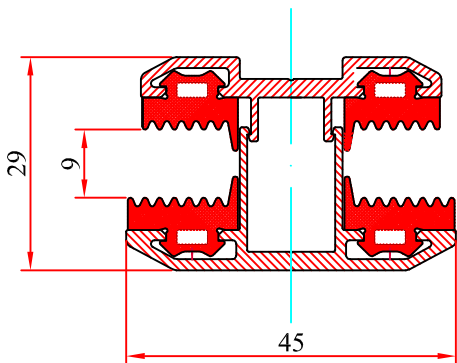
3

4

A

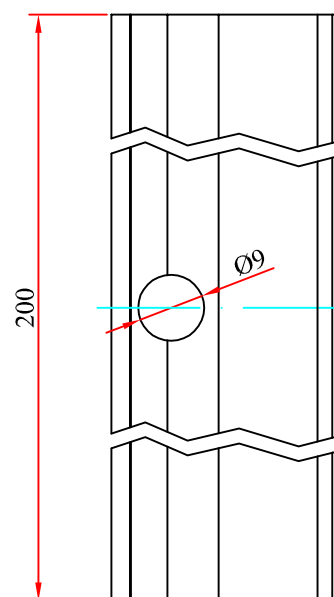
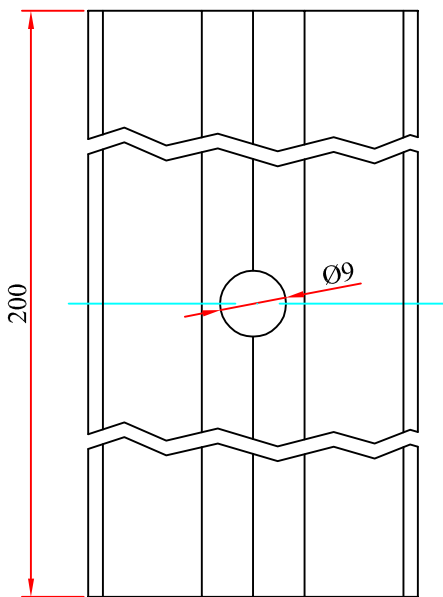


B



C

D



E

F

Bearb.

Gepr.

Legierung

Norm

Maßstab

Gewicht (kg/m)

Umfang

CLICK 6.8 - 200

ALUMERO

Systematic Solutions GmbH

Index	Änderung	Datum	Name