

ALUMERO

AS 2.1

**TRAPEZOIDAL BRIDGE PLUS
SANDWICH ROOF**

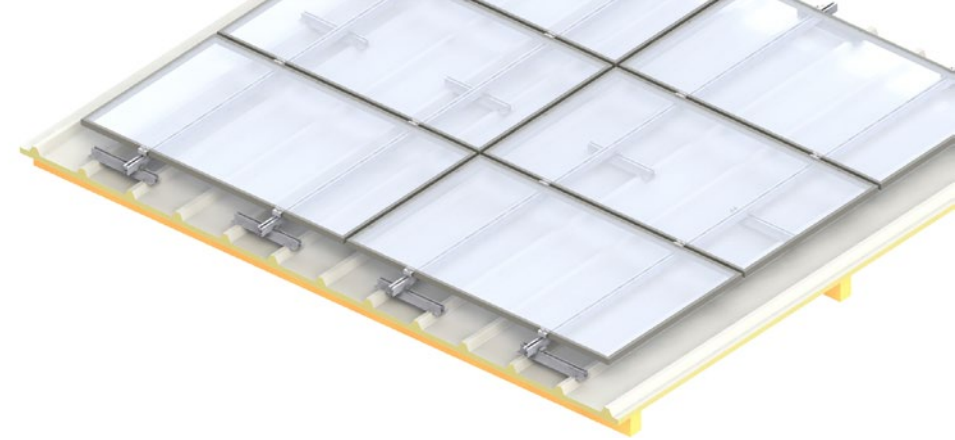
EN

DATA SHEET

TRAPEZOIDAL BRIDGE PLUS S 2.1

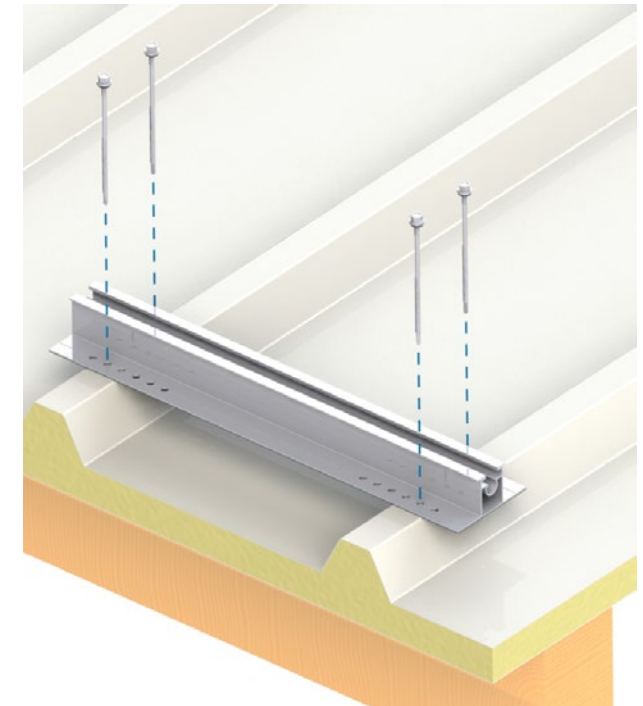
The big 'Plus'

- + Direct transmission of load forces into the purlins via self-drilling screws with support threads
- + Variety of truss profile dimensions allow for greater gaps between the purlins
- + Additional sealing between roof cladding and trapezoidal bridge 'Plus' via pre-installed EPDM rubber
- + Horizontal and vertical module mounting
- + Lightweight and sturdy due to use of aluminium



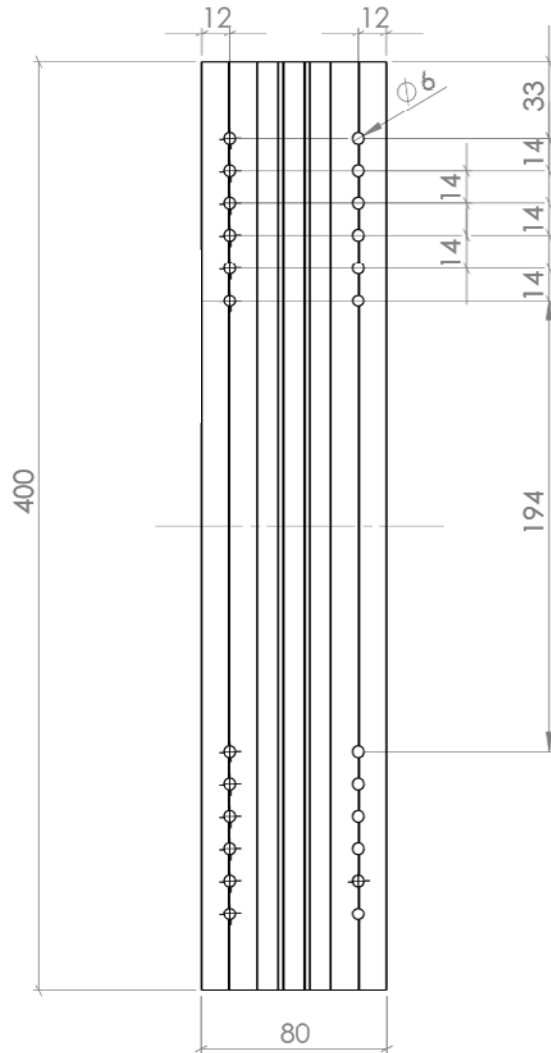
Technical details Sandwich roof

Use:	Profile sandwich roofs
Roof gradients:	5° - 35°
Minimum sheet thickness:	Sheet steel: Min. 0.4mm Aluminium: Min 0.5mm
Trapezoidal profile sheet:	Minimum width 25mm
Trapezoidal profile distancing:	100 - 333mm
Attachment method:	4 self-drilling screws (screwed directly into the substructure/purlins)
Mounting:	Parallel to or at 90° to roof profiles
Distance to roof edge:	Roof areas F and G can be used in compliance with EN 1991-1-4
Module direction:	Horizontal
Module dimensions:	Length and width as required
Maximum module field size:	12 metres in the direction of the rail
Maximum wind/snow load:	Calculated according to project specifics using Alumero.Pro.Tool online software
Maximum building height:	25m (higher on request)
Specific roof conditions:	The structural load-bearing capacities of roof structures and building frames must be officially certified
Materials:	Load-bearing components made of aluminium EN AW 6063 T66 Small items made of stainless steel A2-70; EPDM

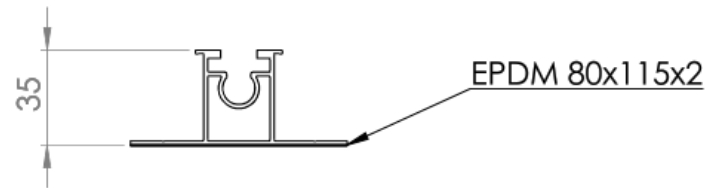


Technical drawings

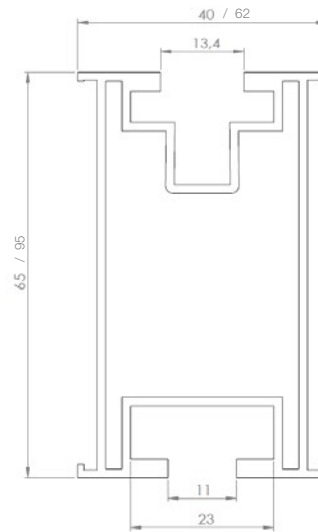
Trapezoidal bridge Plus S (L=400mm)



Cross-section



Truss profile 65 / 95



ALUMERO.PRO.TOOL

8-step project plan

1 Master data

2 Roof data

3 Roof specifics

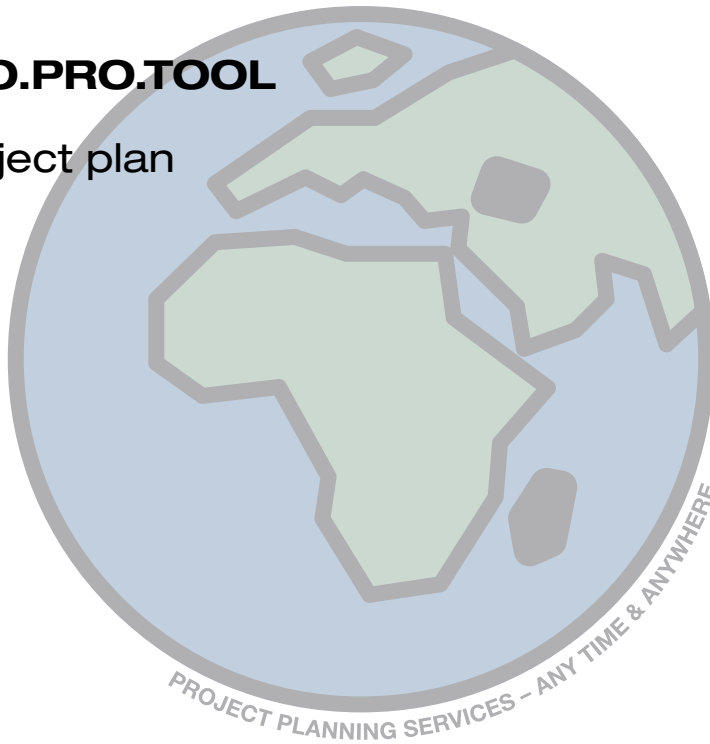
4 PV modules

5 Construction design

6 CAD plan

7 Statics

8 Materials list



We give customers the opportunity to generate technical, project-related system set-ups, including statics calculations and project reports using the **Alumero.Pro.Tool** online software.



System components

Additional articles can be found in our product catalogue or on the website: www.alumerogroup.eu



Trapezoidal bridge Plus S 400

Product number:
802449
(Profile distancing: 100-333mm)



Truss profile

Product number:
80210x



Profile connector

Product number:
80215x



Cross connector 2.1

Product number:
802200



Cross connector TP95 2.1

Product number:
802203



Self-drilling screw

Product number:
On request

makes us stronger.