

ALUMERO

2.1 TPF

STANDING SEAM CLAMPS

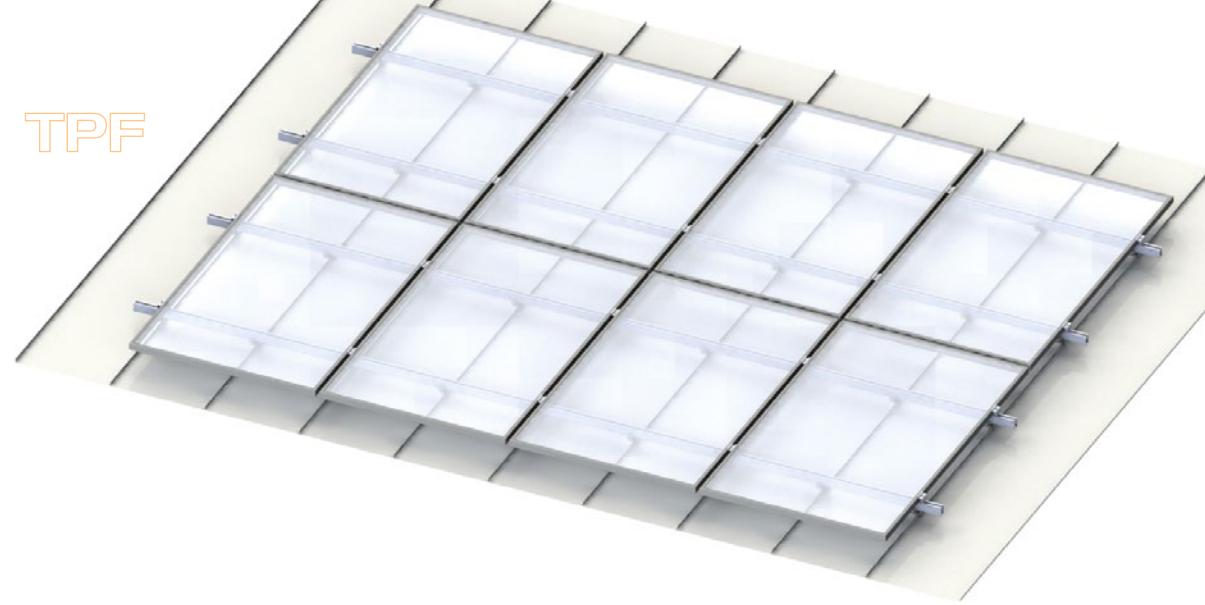
EN

DATA SHEET

STANDING SEAM CLAMPS 2.1 TPF

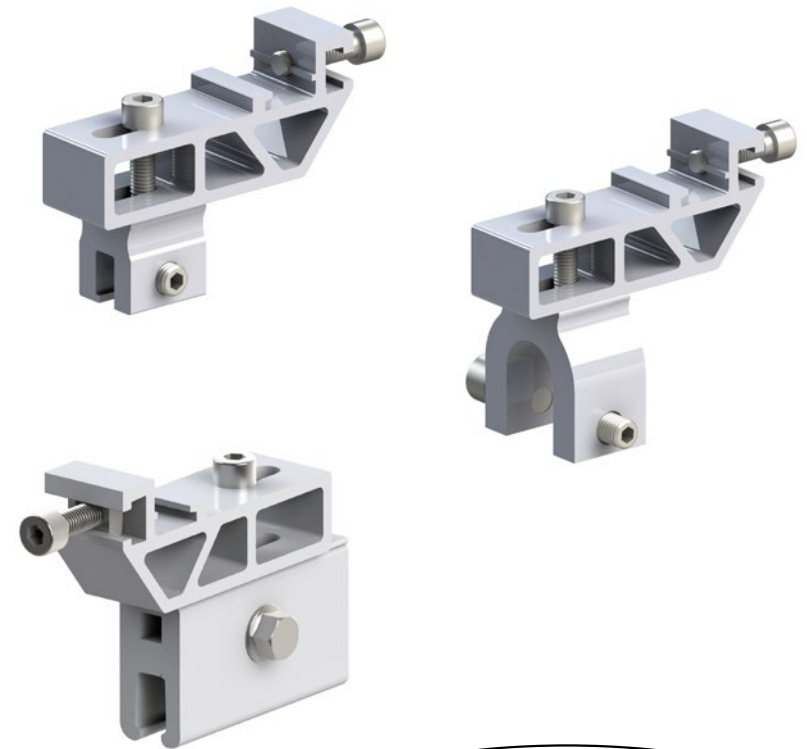
The big 'Plus'

- + Clamps for all kinds of sheet metal folds: Double-lock and single-lock seams, round seams, Domico, Rib-Roof 465, Klip-Lok
- + Simple truss profile mounting with pre-installed quick-mount adapters
- + Non-penetrative attachment via fixing bolts
- + Tested and statically-approved standing seam clamps
- + Horizontal and vertical module mounting



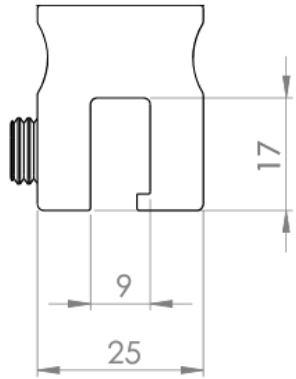
Technical details

| | |
|-----------------------------------|--|
| Use: | Standing seam roofs, profile roofs |
| Roof gradients: | Max. 60° |
| Attachment method: | Fixing screws |
| Mounting: | Parallel along the roof |
| Distance to roof edge: | Roof areas F and G can be used in compliance with EN 1991-1-4 |
| Module direction: | Vertical and horizontal |
| Module dimensions: | Length and width as required |
| Maximum module field size: | Approx. 3m along the rail (depending on type of seam, max. rail length on request) |
| Maximum wind/snow load: | Calculated according to project specifics using Alumero.Pro.Tool online software |
| Maximum building height: | 25m (higher on request) |
| Specific roof conditions: | The structural load-bearing capacities of roof structures and building frames must be officially certified |
| Materials: | Load-bearing components made of aluminium EN AW 6063 T66 Small items made of stainless steel A2-70; EPDM |

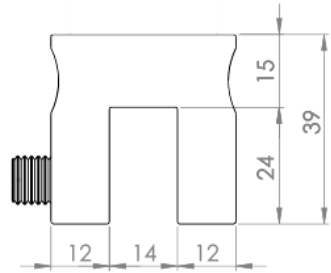


Technical drawings

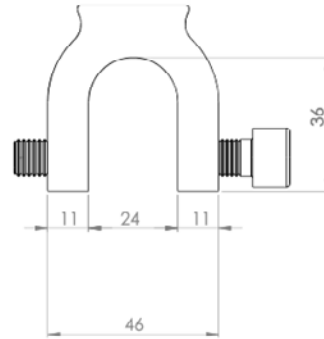
Double standing seam clamp 2.1 TPF



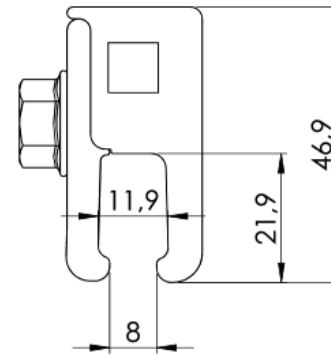
Single standing seam clamp 2.1 TPF



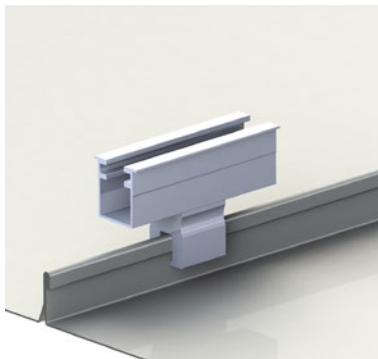
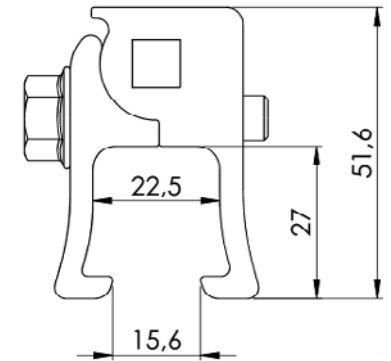
Round seam clamp 2.1 TPF



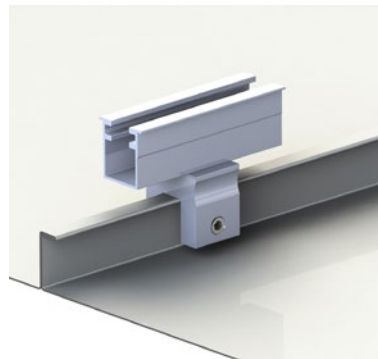
Folded seam clamp 2.1 RD-80 TPF



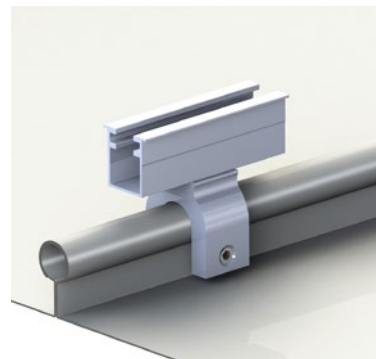
Folded seam clamp 2.1 K15 TPF



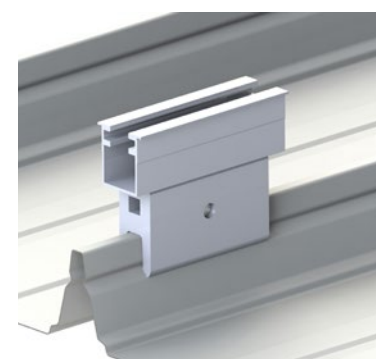
Double-lock seam



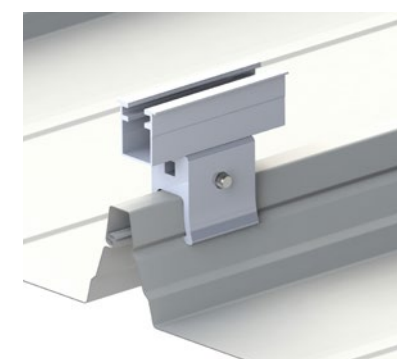
Single-lock seam



Rounded seam



Domico GBS, Rib-Roof 465

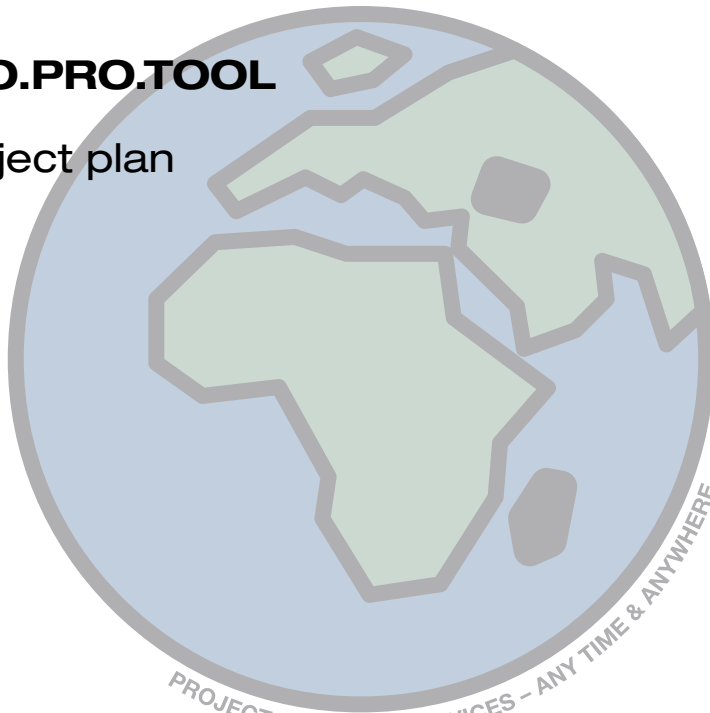


Domitec

ALUMERO.PRO.TOOL

8-step project plan

- 1 Master data
- 2 Roof data
- 3 Roof specifics
- 4 PV modules
- 5 Construction design
- 6 CAD plan
- 7 Statics
- 8 Materials list



We give customers the opportunity to generate technical, project-related system set-ups, including statics calculations and project reports using the **Alumero.Pro.Tool** online software.



System components

Additional articles can be found in our product catalogue or on the website: www.alumerogroup.eu



Double standing seam clamp

2.1 TPF

Product number:
802466
(Double-lock seam roof)



Single standing seam clamp

2.1 TPF

Product number:
802462
(Single-lock seam roof)



Round seam clamp

2.1 TPF

Product number: 802460
(Round seam profile roof)



Standing seam clamp

2.1 RD-80 TPF

Product number:
802469
(Domico GBS, Zambelli 465)



Standing seam clamp

2.1 K 15 TPF

Product number:
802471
(Domitec profile roof)



Truss profile

Product number:
80210x



Profile connector

Product number:
80215x



Cross connector 2.1

Product number:
802200

makes us stronger.