

**ALUMERO**

AS 2.1  
**SHORT RAIL**

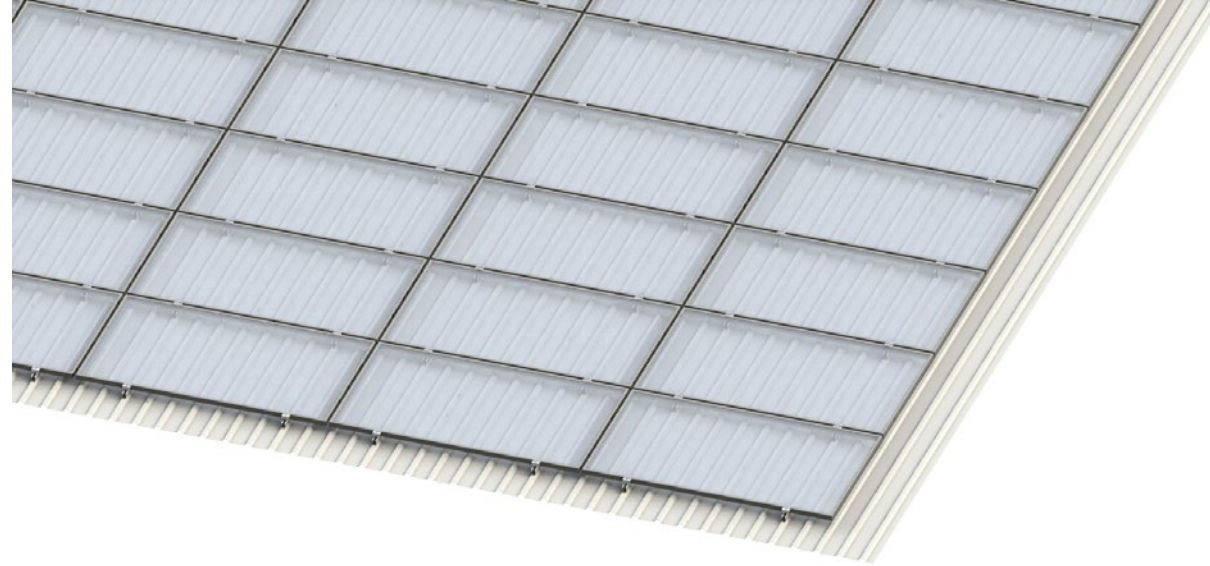
**DATA SHEET**

EN

# SHORT RAIL AS 2.1

## The big 'Plus'

- + Easy installation on trapezoidal sheet metal roofs made of steel or aluminium.
- + Non-shearing attachment via special drilling screws
- + Pre-installed EPDM rubber for extra-reliable seal between roof surface and trapezoidal short rail
- + Horizontal module mounting
- + Lightweight and sturdy due to use of aluminium



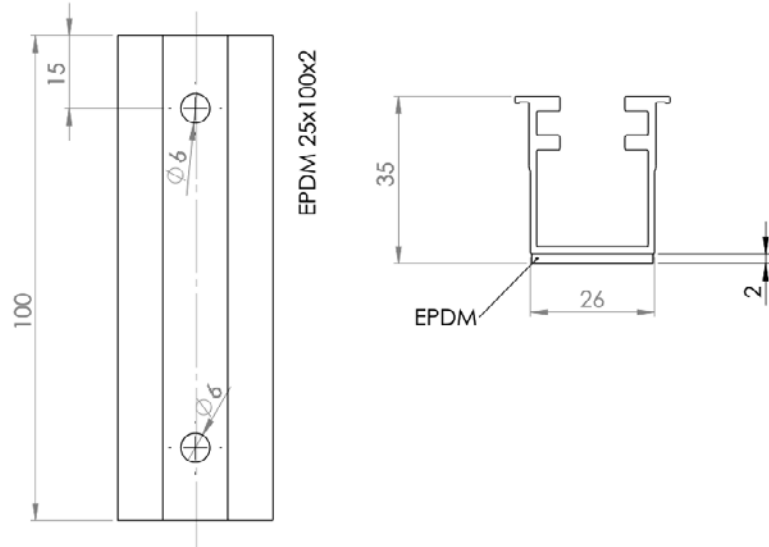
## Technical details Short rail 2.1 T

<b>Use:</b>	Trapezoidal profile sheet roofs
<b>Roof gradients:</b>	Max. 45°
<b>Minimum sheet thickness:</b>	Sheet steel: Min. 0.4mm Aluminium: Min 0.5mm
<b>Trapezoidal profile sheet:</b>	Minimum width 22 mm (25mm recommended)
<b>Trapezoidal profile distancing:</b>	As required
<b>Attachment method:</b>	2 self-drilling screws (screwed directly into the trapezoidal profile sheet)
<b>Mounting:</b>	Parallel to roof profiles
<b>Distance to roof edge:</b>	Roof areas F and G can be used in compliance with EN 1991-1-4
<b>Module direction:</b>	Horizontal
<b>Module dimensions:</b>	Length and width as required
<b>Maximum module field size:</b>	12 metres in the clamping direction of the module
<b>Maximum wind/snow load:</b>	Calculated according to project specifics using Alumero.Pro.Tool online software
<b>Maximum building height:</b>	25m (higher if required)
<b>Specific roof conditions:</b>	The structural load-bearing capacities of roof structures and building frames must be officially certified
<b>Materials:</b>	Load-bearing components made of aluminium EN AW 6063 T66 Small items made of stainless steel A2-70; EPDM

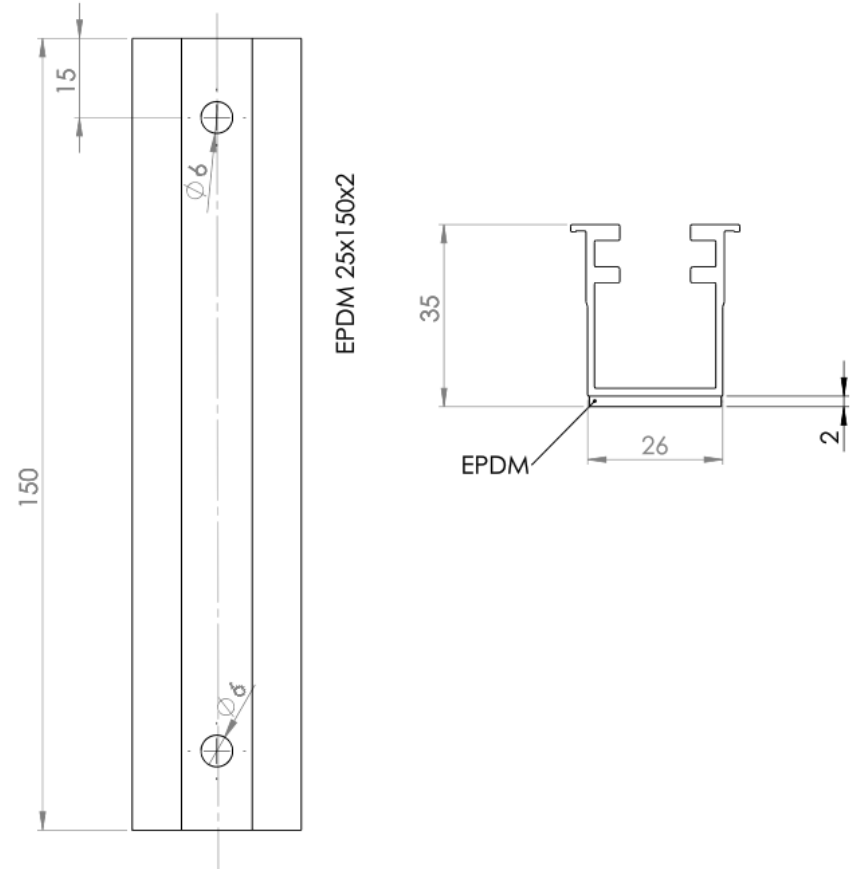


# Technical drawings

Short rail 2.1 T (L=100mm)



Short rail 2.1 T (L=150mm)



# ALUMERO.PRO.TOOL

## 8-step project plan

**1** Master data

**2** Roof data

**3** Roof specifics

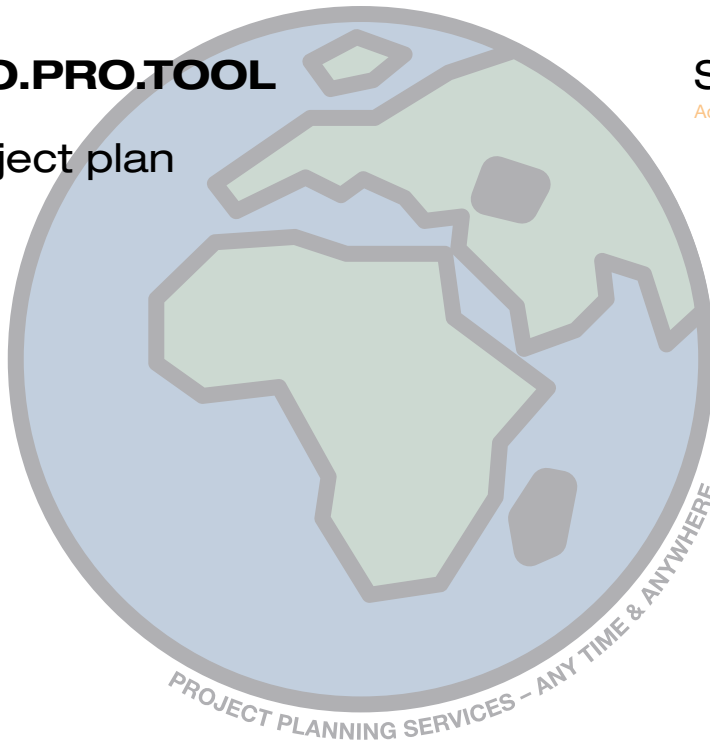
**4** PV modules

**5** Construction design

**6** CAD plan

**7** Statics

**8** Materials list



We give customers the opportunity to generate technical, project-related system set-ups, including statics calculations and project reports using the **Alumero.Pro.Tool** online software.



## System components

Additional articles can be found in our product catalogue or on the website: [www.alumerogroup.eu](http://www.alumerogroup.eu)



**Trapezoidal profile roof  
short rail 2.1 T  
L = 100**  
Product number:  
802442



**Trapezoidal profile roof  
short rail 2.1 T  
L = 150**  
Product number:  
802443

**makes us stronger.**