

ALUMERO

AS 2.1
ROOF HOOKS

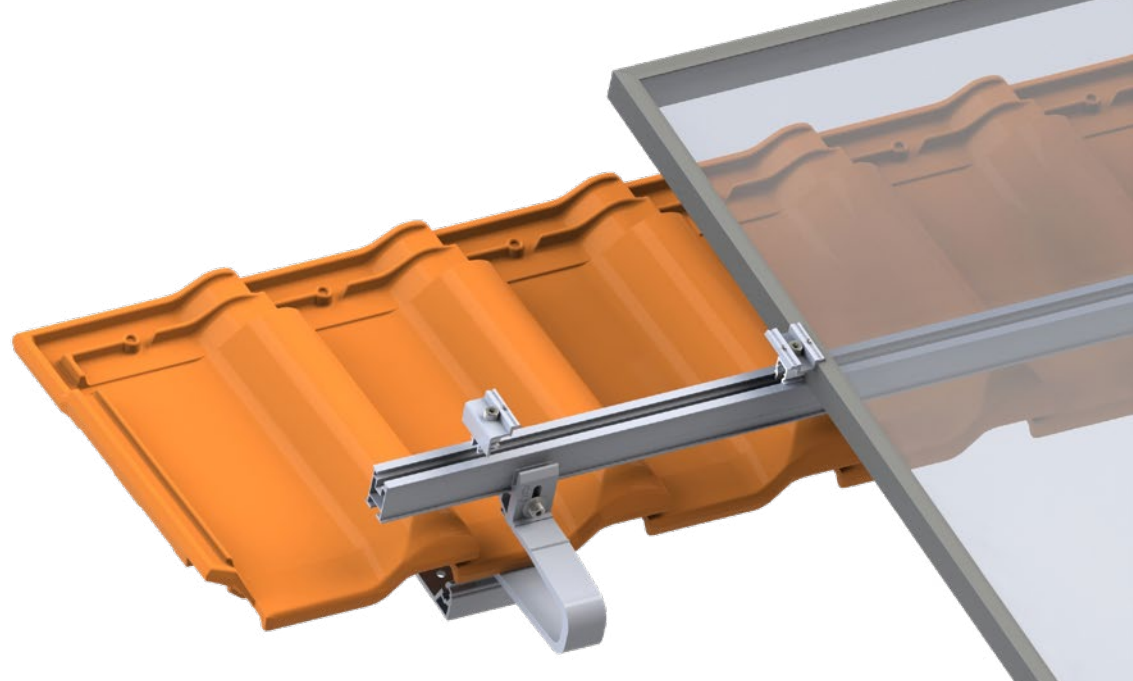
EN

DATA SHEET

ROOF HOOKS AS 2.1

The big 'Plus'

- + A variety of roof hooks for tiled, slate and beaver tail tiled roofs
- + Quickly and easily mounted due to pre-assembled components
- + Adjustable aluminium roof hooks
- + Pre-assembled quick mounting adapters for truss profiles: 37, 45 and 65
- + Stronger version due to harder aluminium alloy
- + Truss profiles can be mounted in parallel lines or in a lattice arrangement
- + Lightweight system for heavy duty deployment



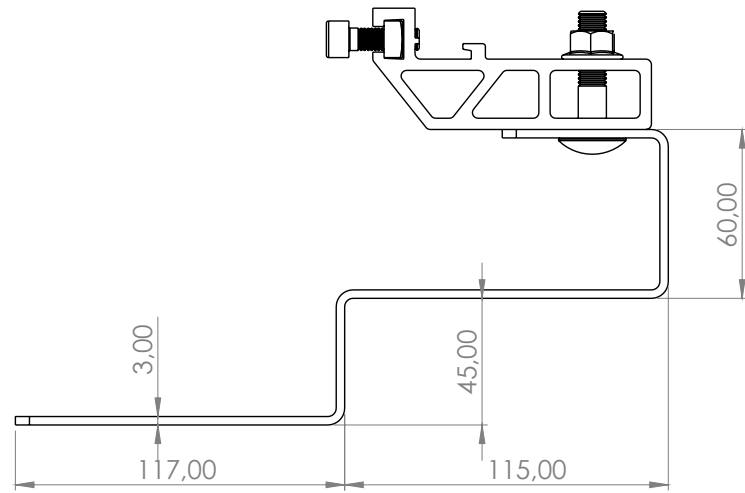
Technical details

Use:	Clay tile, slate tile, beaver tail tiled roofs, Schiefer-, Biberschwanddächer
Roof gradients:	10°-60°
Attachment method:	Flat-head screws
Mounting:	Parallel to roof
Distance to roof edge:	Roof areas F and G can be used in compliance with EN 1991-1-4
Module direction:	Vertical and horizontal
Module dimensions:	Length and width as required
Maximum module field size:	12 metres along the rail
Maximum wind/snow load:	Calculated according to project specifics using Alumero.Pro.Tool online software
Maximum building height:	25m (higher on request)
Specific roof conditions:	The structural load-bearing capacities of roof structures and building frames must be officially certified
Materials:	Load-bearing components made of aluminium EN AW 6005 T6; EN AW 7020 T6; EN AW 6063 T66 and stainless steel 1.4301; Small items made of A2-70 stainless steel

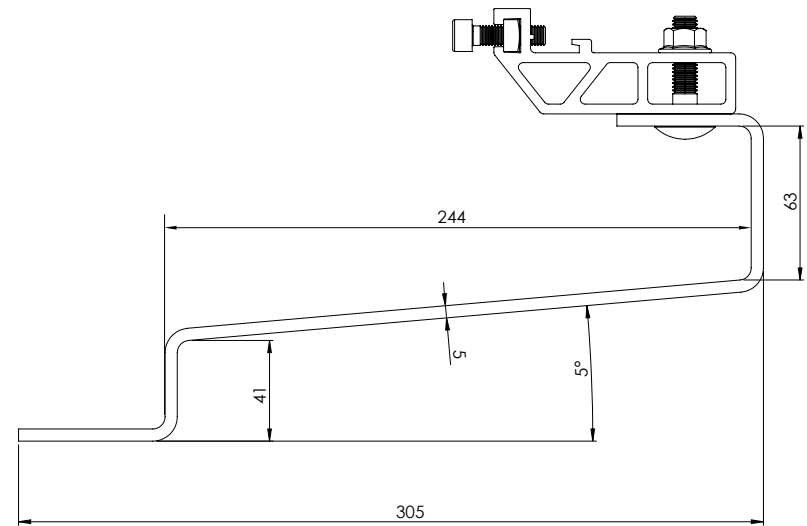


Technical drawings

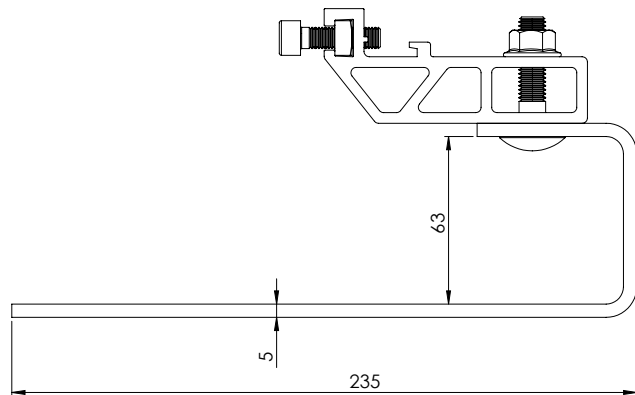
Roof hook Tegalit AS 2.1



Roof hook beaver tail AS 2.1

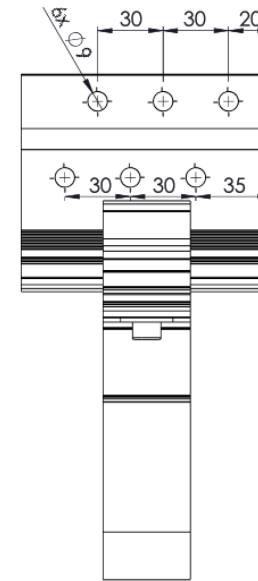
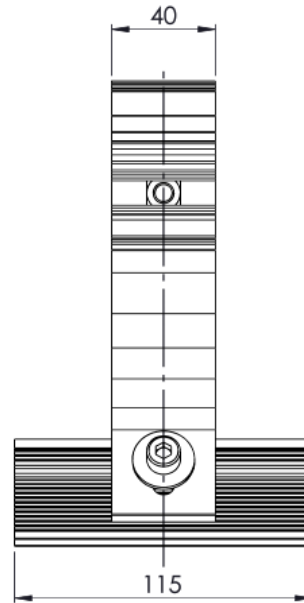
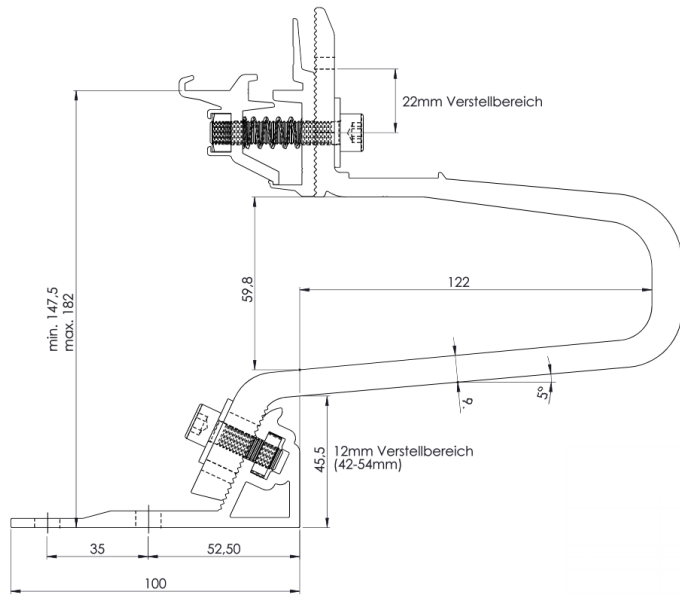


Roof hook slate AS 2.1

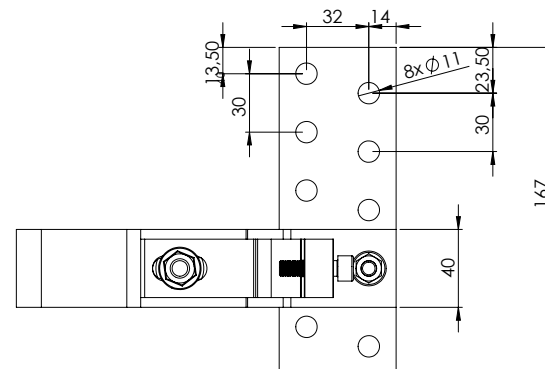
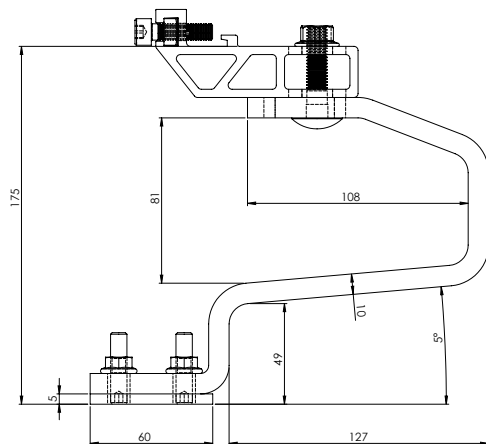


Technical drawings

Roof hooks AL13



Roof hooks 40x10



ALUMERO.PRO.TOOL

8-step project plan

1 Master data

2 Roof data

3 Roof specifics

4 PV modules

5 Construction design

6 CAD Plan

7 Statics

8 Materials list



We give customers the opportunity to generate technical, project-related system set-ups, including statics calculations and project reports using the **Alumero.Pro.Tool** online software.



System components

Additional articles can be found in our product catalogue or on the website: www.alumerogroup.eu



Roof hook AL 13 / ALS 13

Product number:
80241x



Roof hook AL 13 X

Product number:
802414



**Rapid-mount
roof hook 40x10**
Product number:
802406



Flat-head screw
Product number:
8006x



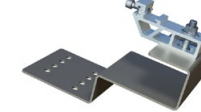
**Rapid-mount beaver
tail roof hook**

Product number:
802425



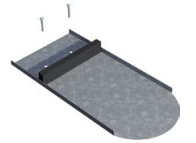
**Rapid-mount slate
roof hook**

Product number:
802423



**Rapid-mount Tegalit
roof hook**

Product number:
802422



**Beaver tail replacement
board AS 2.1**

Product number:
802620



Cross connector 2.1

Product number:
802200



Truss profile

Product number:
80210x



Profile connector

Product number:
80215x



**Brick replacement board
AS 2.1 Universal**

Product number:
350 Red - 802625
350 Black - 802626
420 Red - 802627
420 Black - 802628

makes us stronger.