

**ALUMERO**

AS 2.1  
**HANGER BOLTS/  
SOLAR FASTENERS**

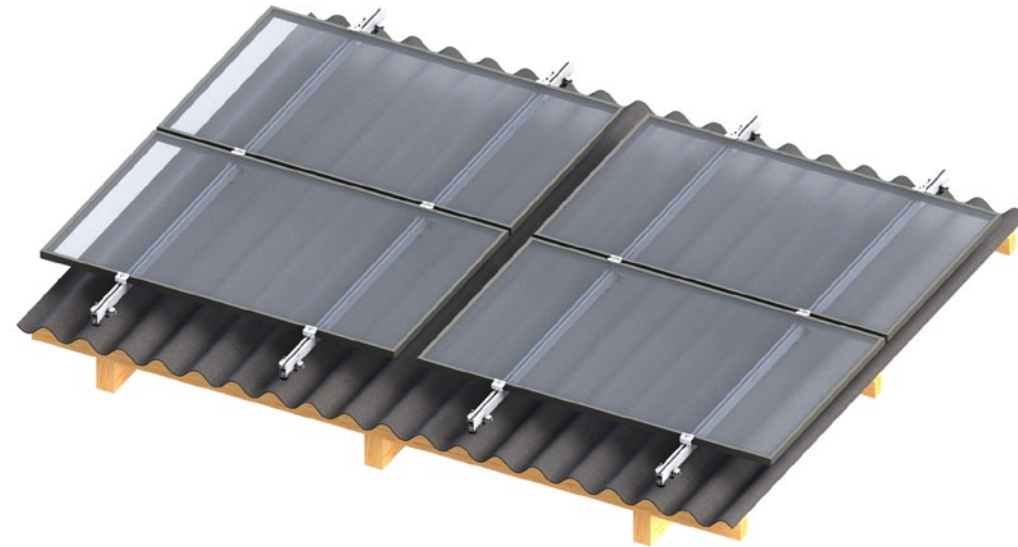
EN

**DATA SHEET**

# HANGER BOLTS / SOLAR FASTENERS AS 2.1

## The big 'Plus'

- + Easily mounted to the truss profiles using pre-installed rapid installation adapters
- + Includes pre-installed EPDM rubber
- + Truss profiles can be mounted as single-direction rails or as a lattice construction
- + Horizontal and vertical module mounting



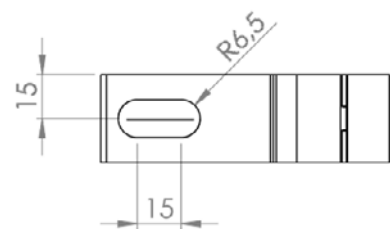
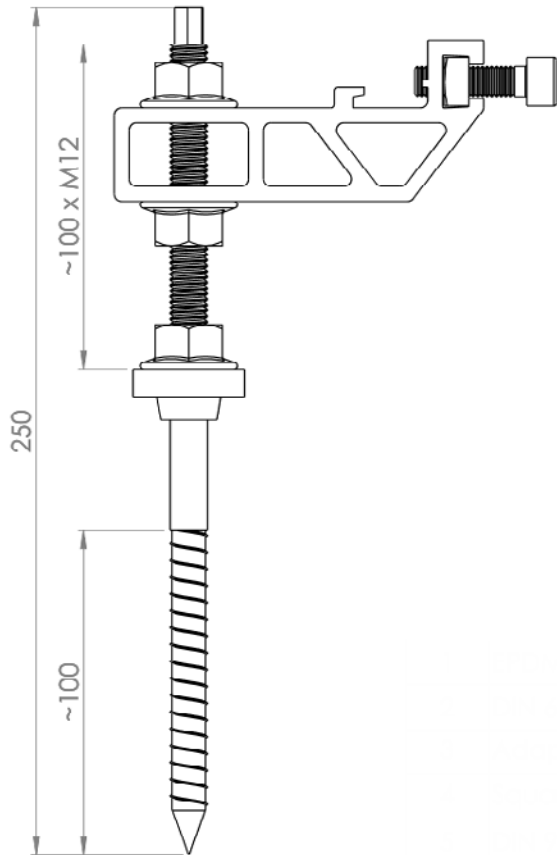
## Technical details

<b>Use:</b>	Eternit corrugated roofs, corrugated iron roofs, bitumen roofs
<b>Roof gradients:</b>	10°-60°
<b>Attachment method:</b>	Hanger bolts, solar fasteners
<b>Mounting:</b>	Parallel to roof profiles
<b>Distance to roof edge:</b>	Roof areas F and G can be used in compliance with EN 1991-1-4
<b>Module direction:</b>	Vertical and horizontal
<b>Module dimensions:</b>	Length and width as required
<b>Maximum module field size:</b>	12 metres along the clamping rail
<b>Maximum wind/snow load:</b>	Calculated according to project specifics using Alumero.Pro.Tool online software
<b>Maximum building height:</b>	25m (higher if required)
<b>Specific roof conditions:</b>	The structural load-bearing capacities of roof structures and building frames must be officially certified
<b>Materials:</b>	Load-bearing components made of aluminium EN AW 6063 T66 Small items made of stainless steel A2-70; EPDM

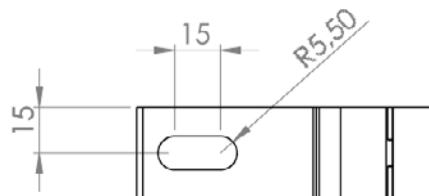
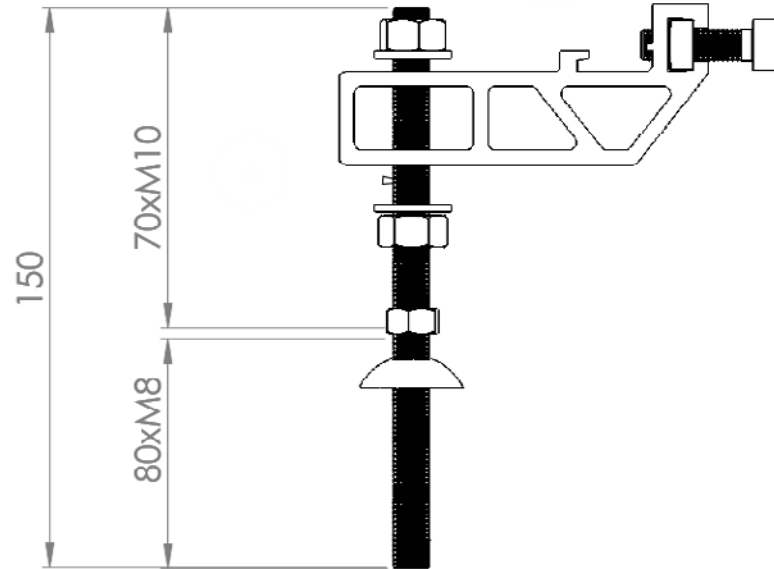


# Technical drawings

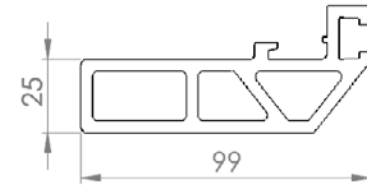
Hanger bolt 2.1



Solar fastener 2.1



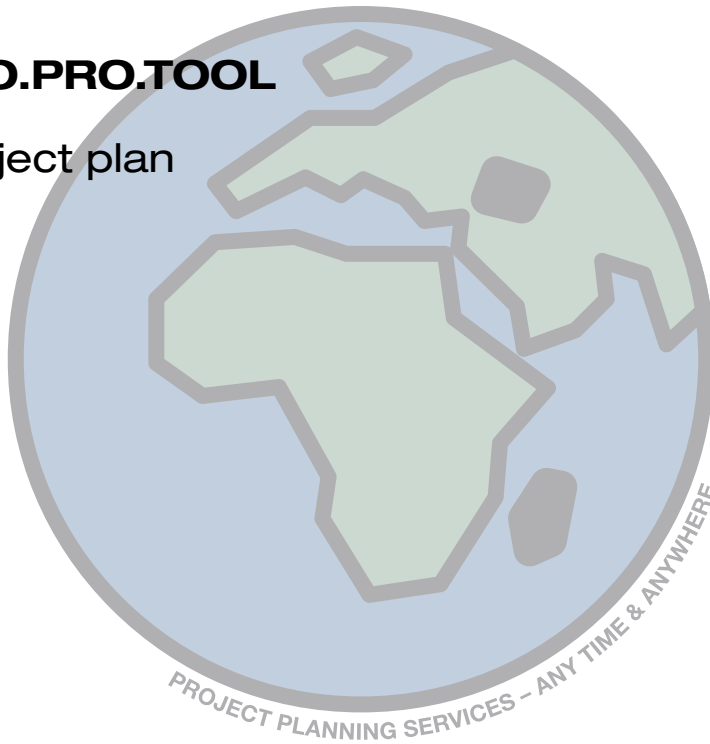
Cross-section



# ALUMERO.PRO.TOOL

## 8-step project plan

- 1 Master data
- 2 Roof data
- 3 Roof specifics
- 4 PV modules
- 5 Construction design
- 6 CAD plan
- 7 Statics
- 8 Materials list

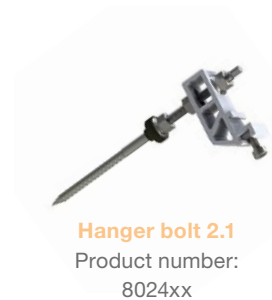


We give customers the opportunity to generate technical, project-related system set-ups, including statics calculations and project reports using the **Alumero.Pro.Tool** online software.



## System components

Additional articles can be found in our product catalogue or on the website: [www.alumerogroup.eu](http://www.alumerogroup.eu)



**makes us stronger.**